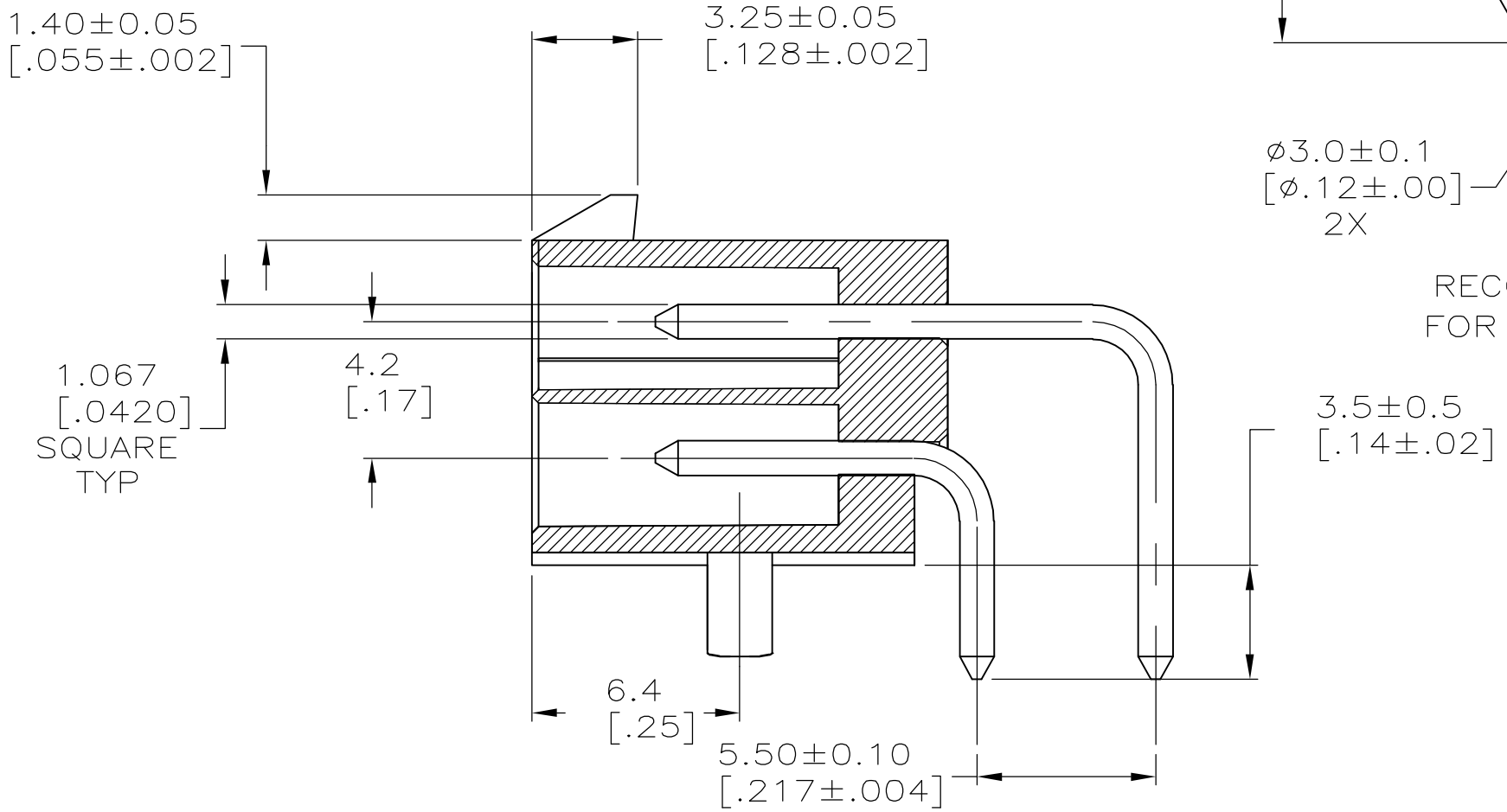
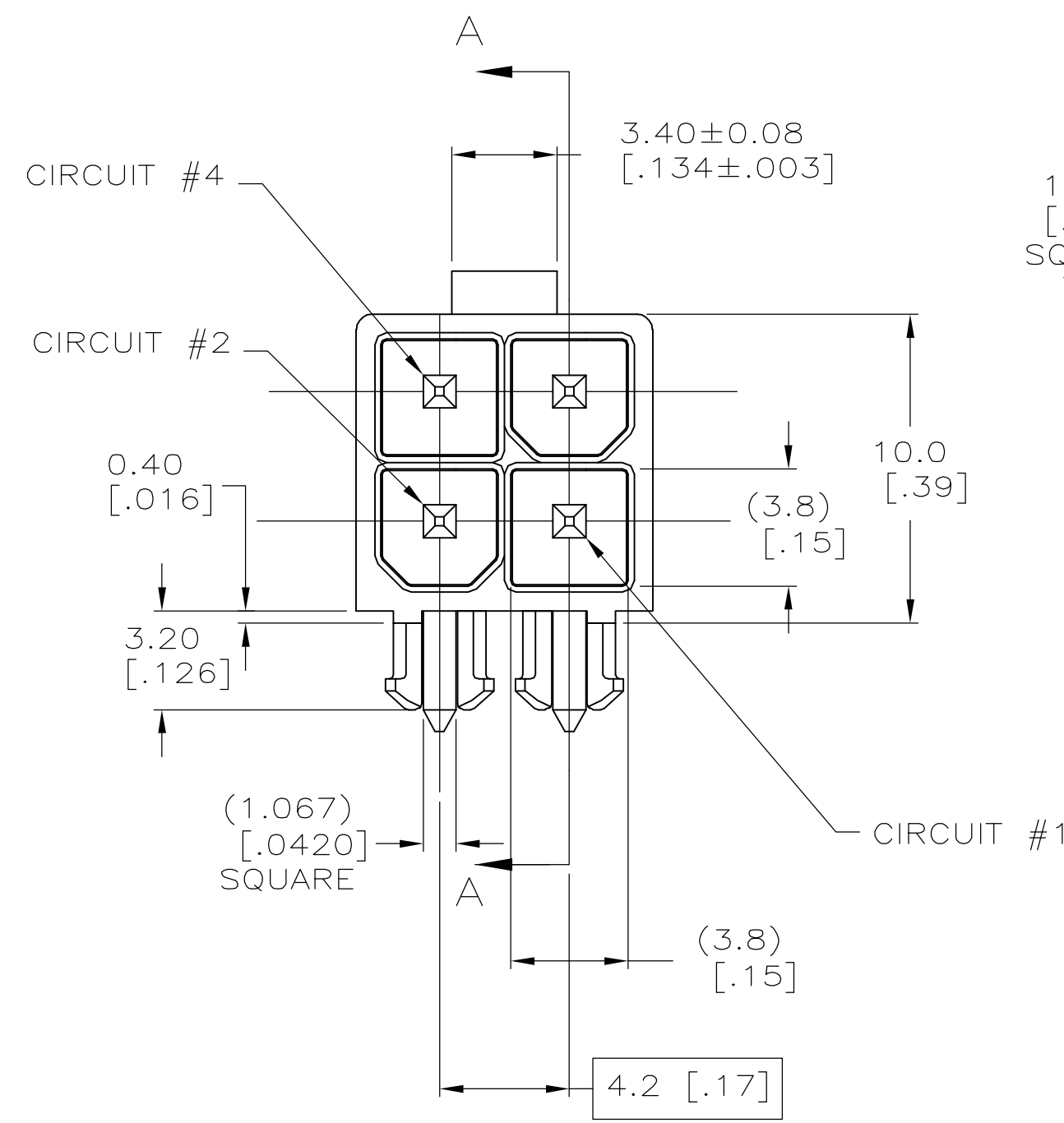
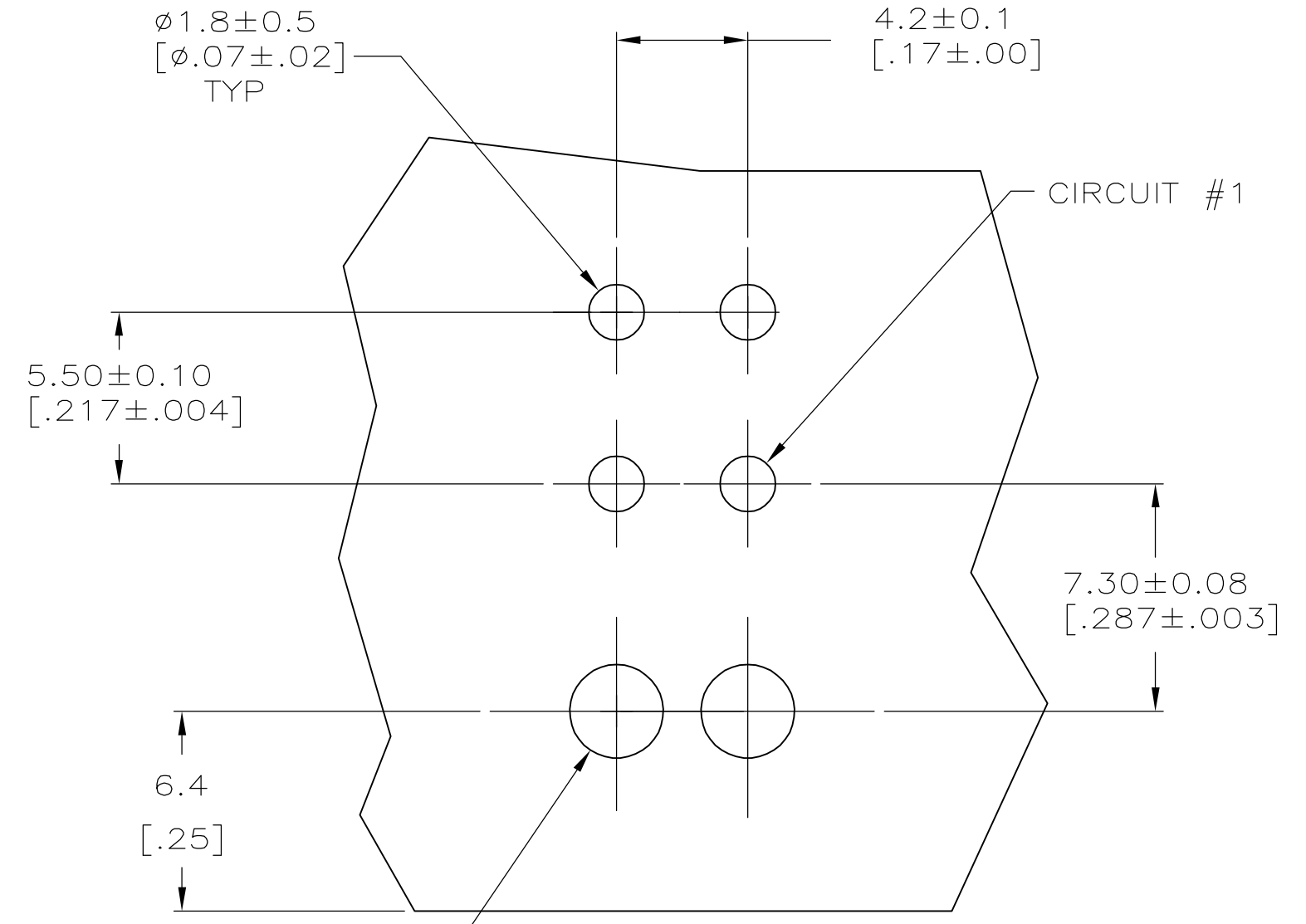
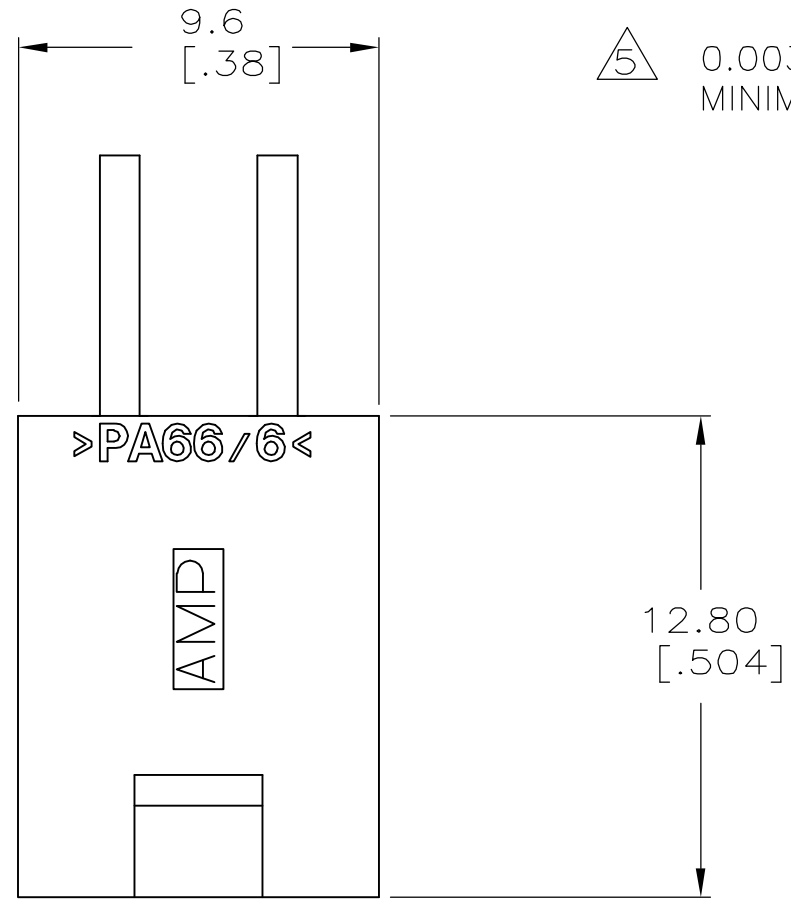


THIS DRAWING IS UNPUBLISHED. RELEASED FOR PUBLICATION
 © COPYRIGHT BY TYCO ELECTRONICS CORPORATION. ALL RIGHTS RESERVED.

LOC		DIST		REVISIONS			
P	LTR	DESCRIPTION		DATE	DWN	APVD	
		D		REVISED PER ECO-06-014735	10NOV06	KW DC	

- 1 MATERIAL: HOUSING - NYLON, UL94V-2 (COLOR - NATURAL).
PIN - 1.067mm² [.0017in²] COPPER ALLOY.
- 2 PINS TO COMPLY WITH SOLDERABILITY SPEC 109-11-3.
- 3 0.00381 [.000150] MINIMUM TIN LEAD OVER 0.00127 [.000050] MINIMUM NICKEL, ENTIRE LENGTH OF PIN.
- 4 NOTE DELETED.
- 5 0.00381 [.000150] MINIMUM TIN OVER 0.00127 [.000050] MINIMUM NICKEL, ENTIRE LENGTH OF PIN.



RECOMMENDED MOUNTING HOLE PATTERN FOR 1.78 [.070] MAX THICK P.C. BOARD COMPONENT SIDE SHOWN

SUPERSEDED BY 1-794508-1

1	5	1	1	1-794508-1
1	3	1	1	794508-1
MATERIAL		FINISH		ASSEMBLY
PIN		HOUSING		

METRIC

THIS DRAWING IS A CONTROLLED DOCUMENT.

DIMENSIONS: mm [INCHES]	TOLERANCES UNLESS OTHERWISE SPECIFIED:	DWN S. HOOVER 02-MAR-2005	Tyco Electronics Corporation Harrisburg, Pa 17105-3608
		CHK D. COLEY 02-MAR-2005	
		APVD D. COLEY 02-MAR-2005	NAME
		0 PLC ± ± 0.2 [.01]	PRODUCT SPEC
		1 PLC ± ± 0.13 [.005]	108-1646
		2 PLC ± ±	APPLICATION SPEC
		3 PLC ± ±	114-6067
		4 PLC ± ± ± 0° 30'	WEIGHT
MATERIAL SEE CHART	FINISH SEE CHART	SIZE A2	CAGE CODE 00779
CUSTOMER DRAWING		DRAWING NO G=794508	RESTRICTED TO
		SCALE 5:1	SHEET 1 OF 1
		REV D	